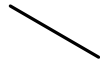


AVCOM Reading System
Drawings & Part Numbers

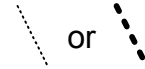
Cable description



Multi core wire



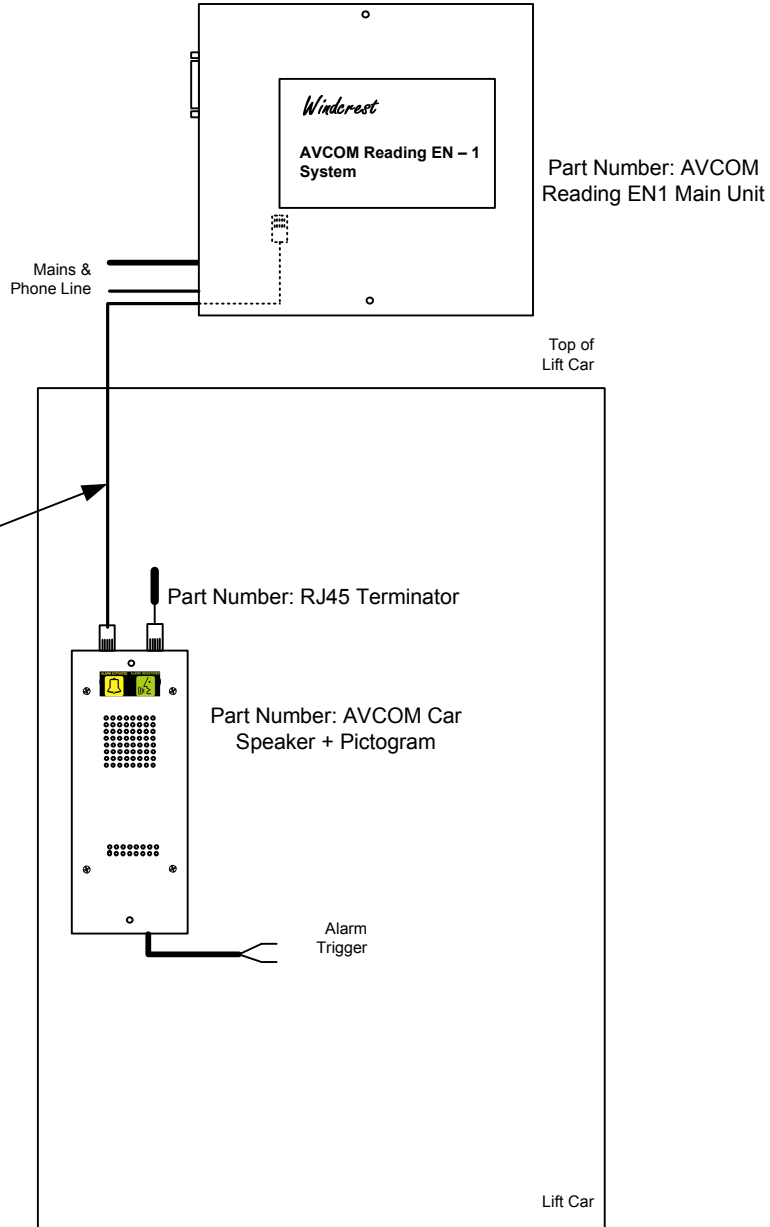
CAT5



or

Cable used in special cases only

Part Number for Main Board :
AVCOM Reading Logic Board



Part Number: RJ45 Cable X
Meters, X = Length required

Part Number: RJ45 Terminator


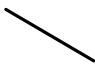
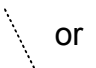
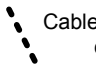
Part Number: AVCOM Car
Speaker + Pictogram

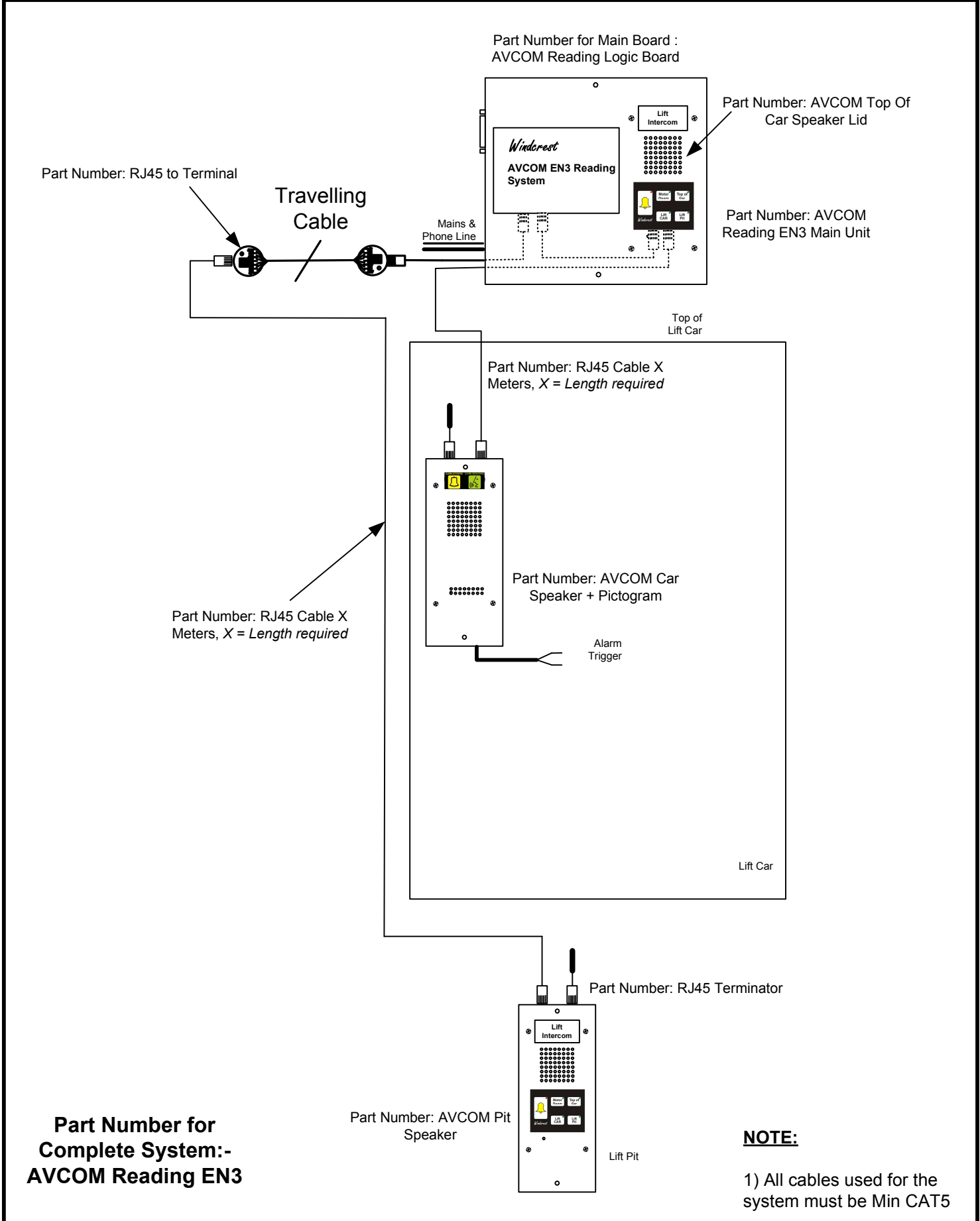
Alarm
Trigger

**Part Number for
Complete System:-
AVCOM Reading EN1**

NOTE:

1) All cables used for the
system must be Min CAT5

Cable description	 Multi core wire	 CAT5	 or  Cable used in special cases only
-------------------	--	---	---



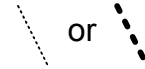
Cable description



Multi core wire



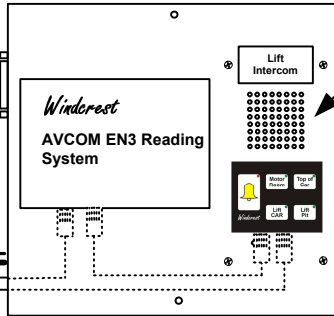
CAT5



or

Cable used in special cases only

Part Number for Main Board :
AVCOM Reading Logic Board



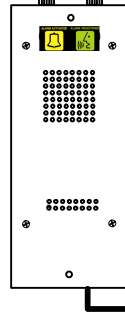
Part Number: AVCOM Top Of Car Speaker Lid

Part Number: AVCOM Reading EN3 Main Unit

Mains & Phone Line

Top of Lift Car

Part Number: RJ45 Cable X Meters, X = Length required



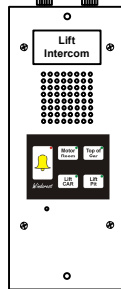
Part Number: AVCOM Car Speaker + Pictogram

Alarm Trigger

Part Number: RJ45 Cable X Meters, X = Length required

Lift Car

Part Number: RJ45 Terminator



Part Number: AVCOM Pit Speaker

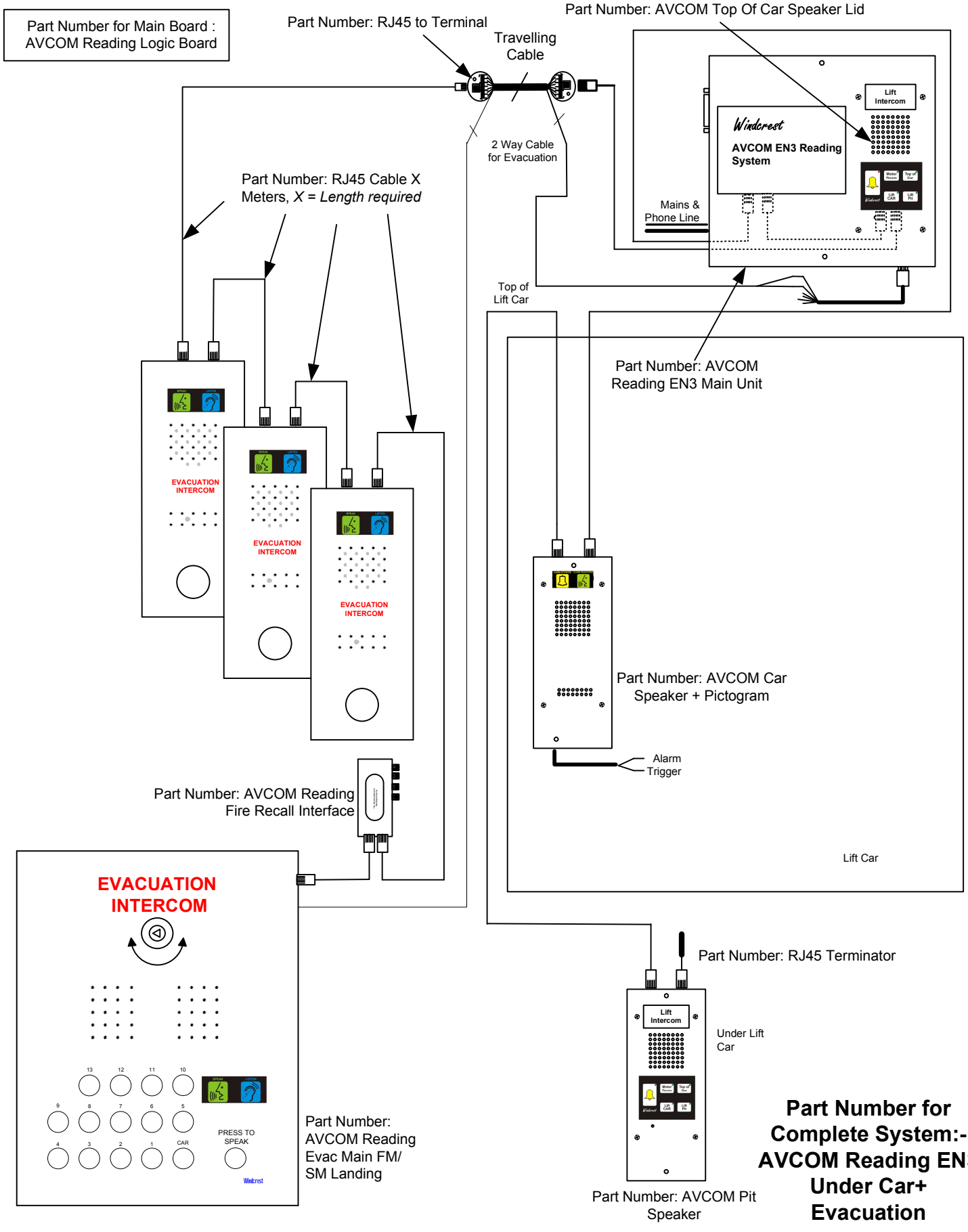
Under Lift Car

Part Number for Complete System:-
AVCOM Reading EN3 Under Car

NOTE:

1) All cables used for the system must be Min CAT5

Cable description	Multi core wire	CAT5	or Cable used in special cases only
-------------------	-----------------	------	--------------------------------------



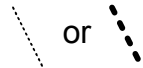
Cable description



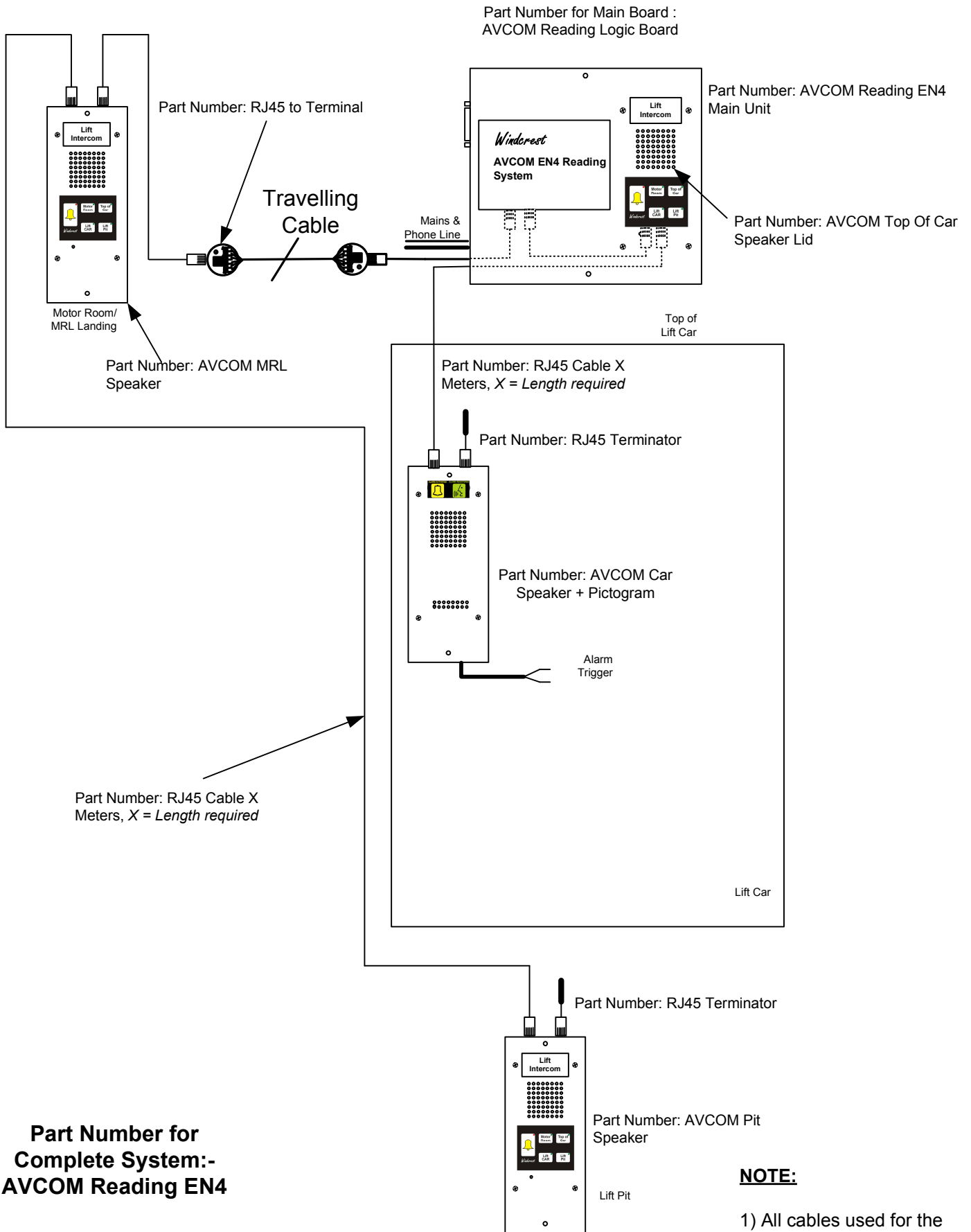
Multi core wire



CAT5



or Cable used in special cases only



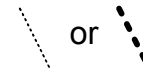
Cable description



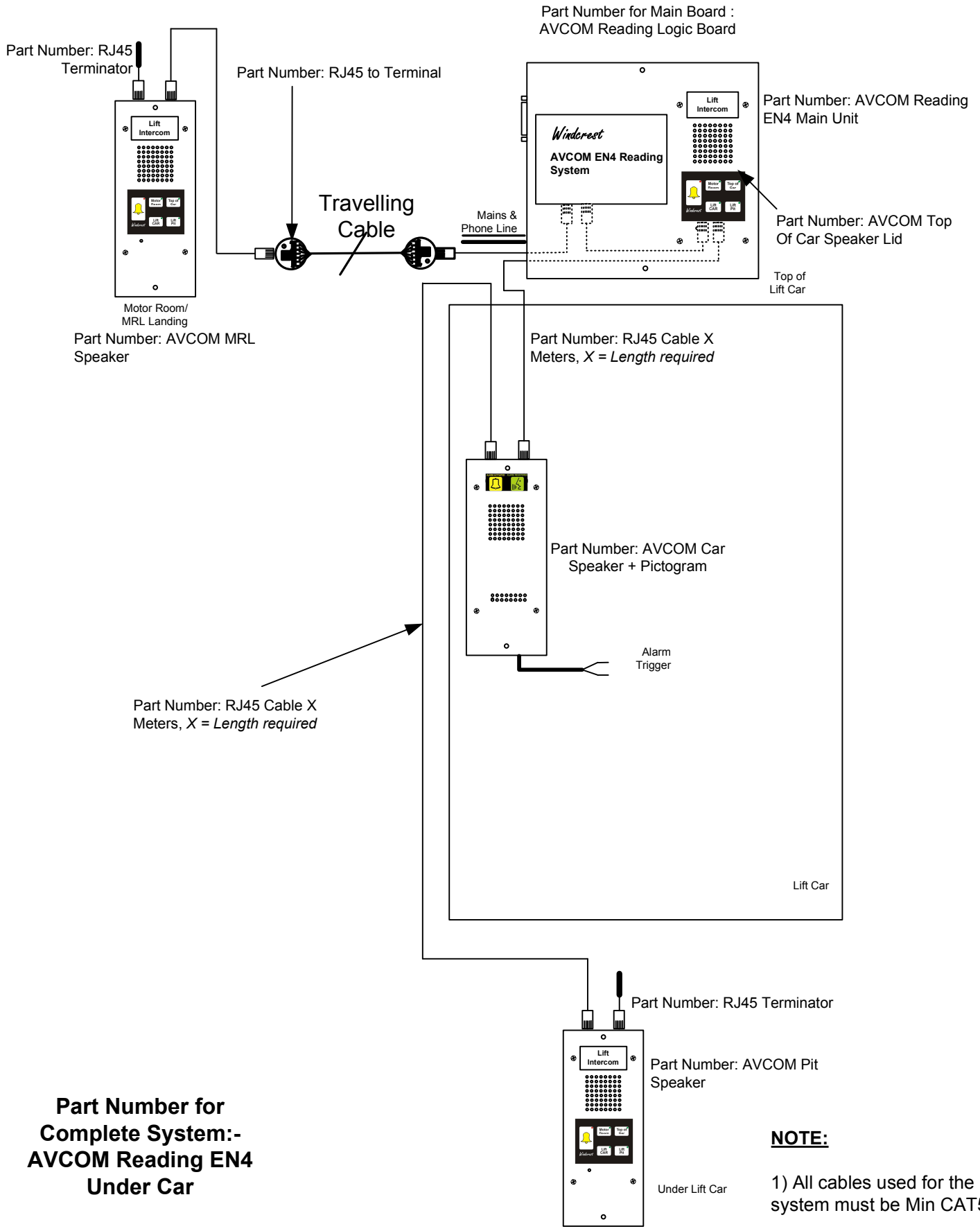
Multi core wire


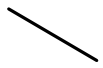
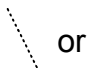
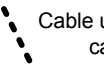


CAT5



OR Cable used in special cases only



Cable description	 Multi core wire	 CAT5	 Or  Cable used in special cases only
-------------------	--	---	---

